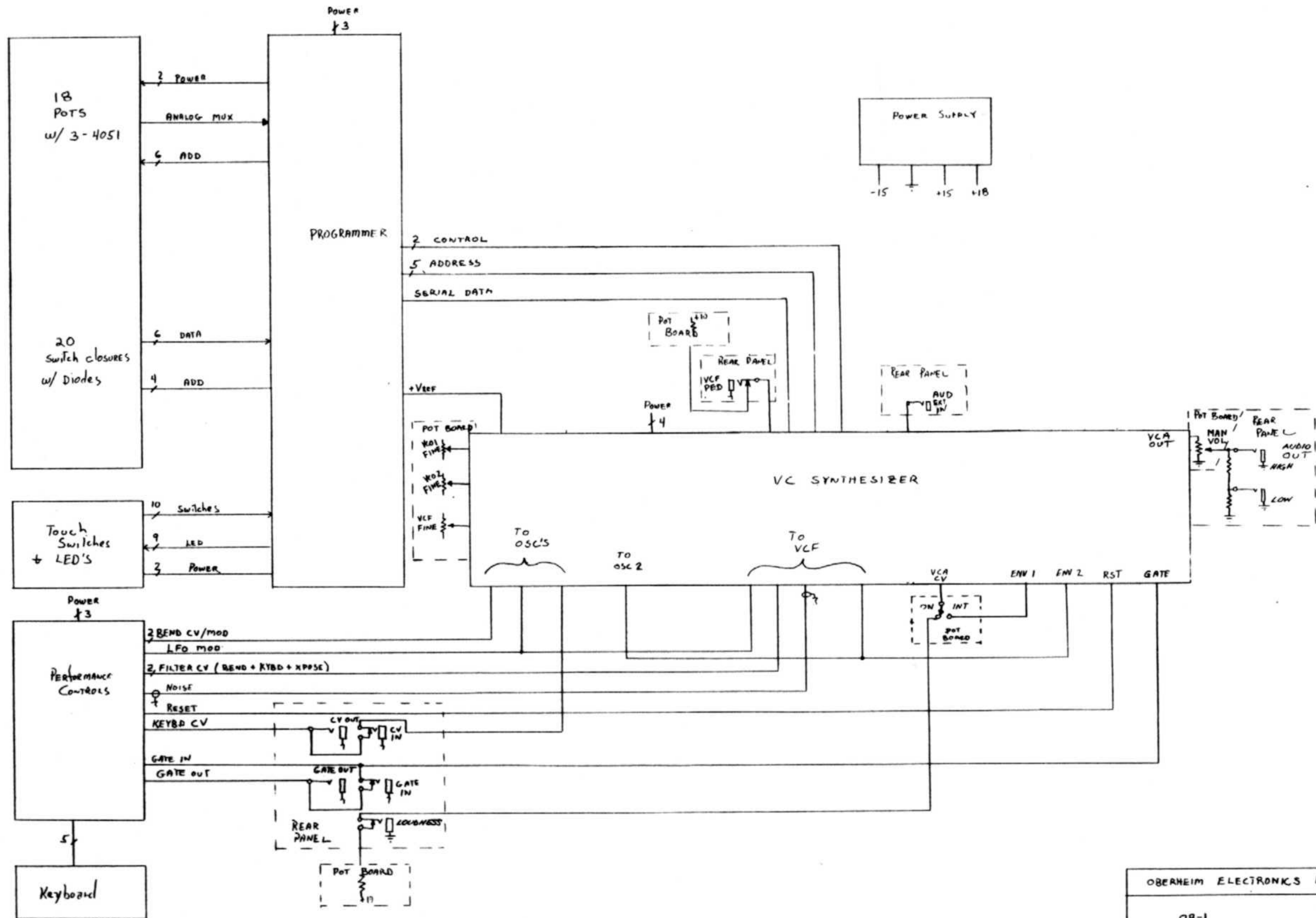
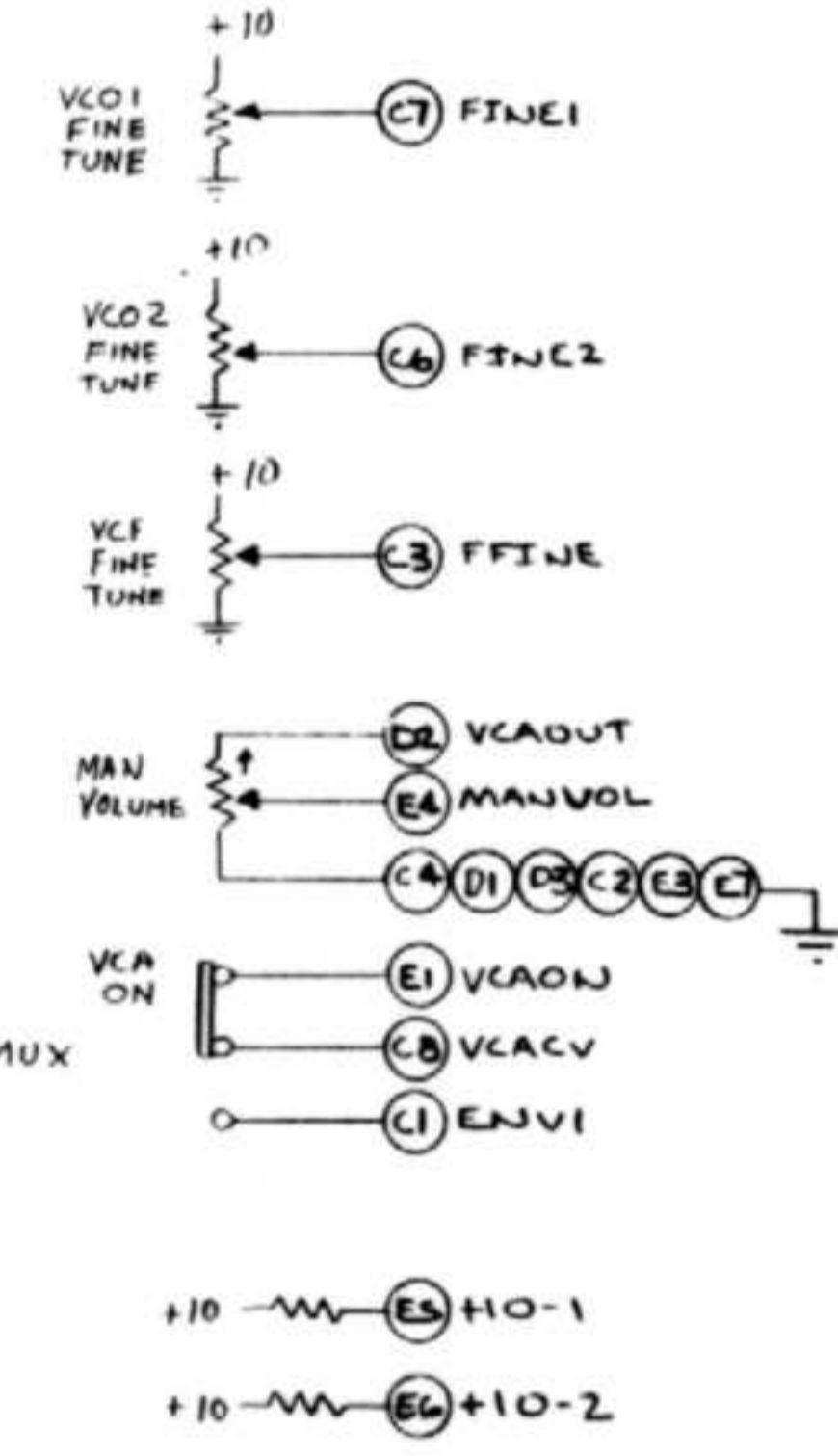
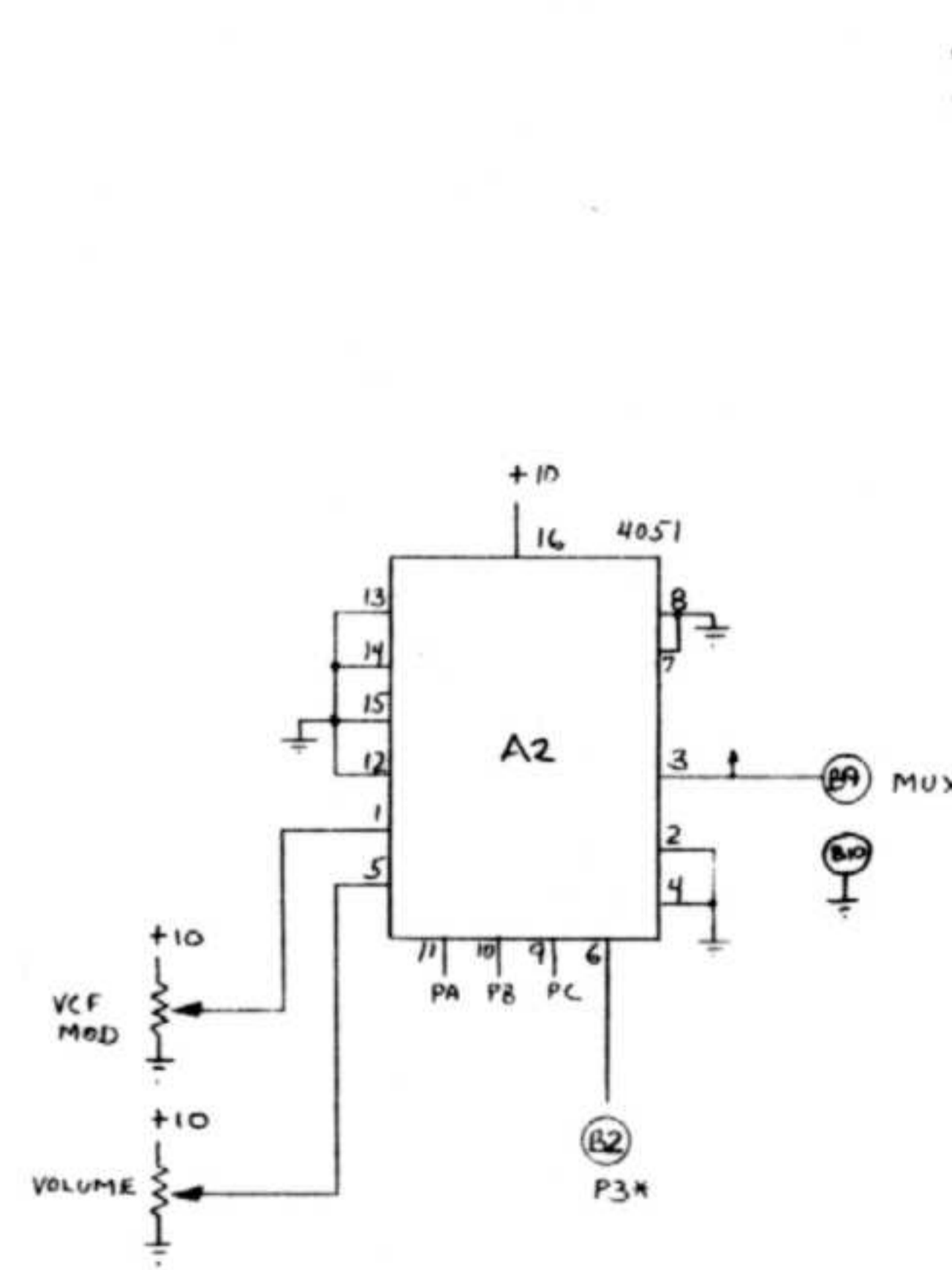
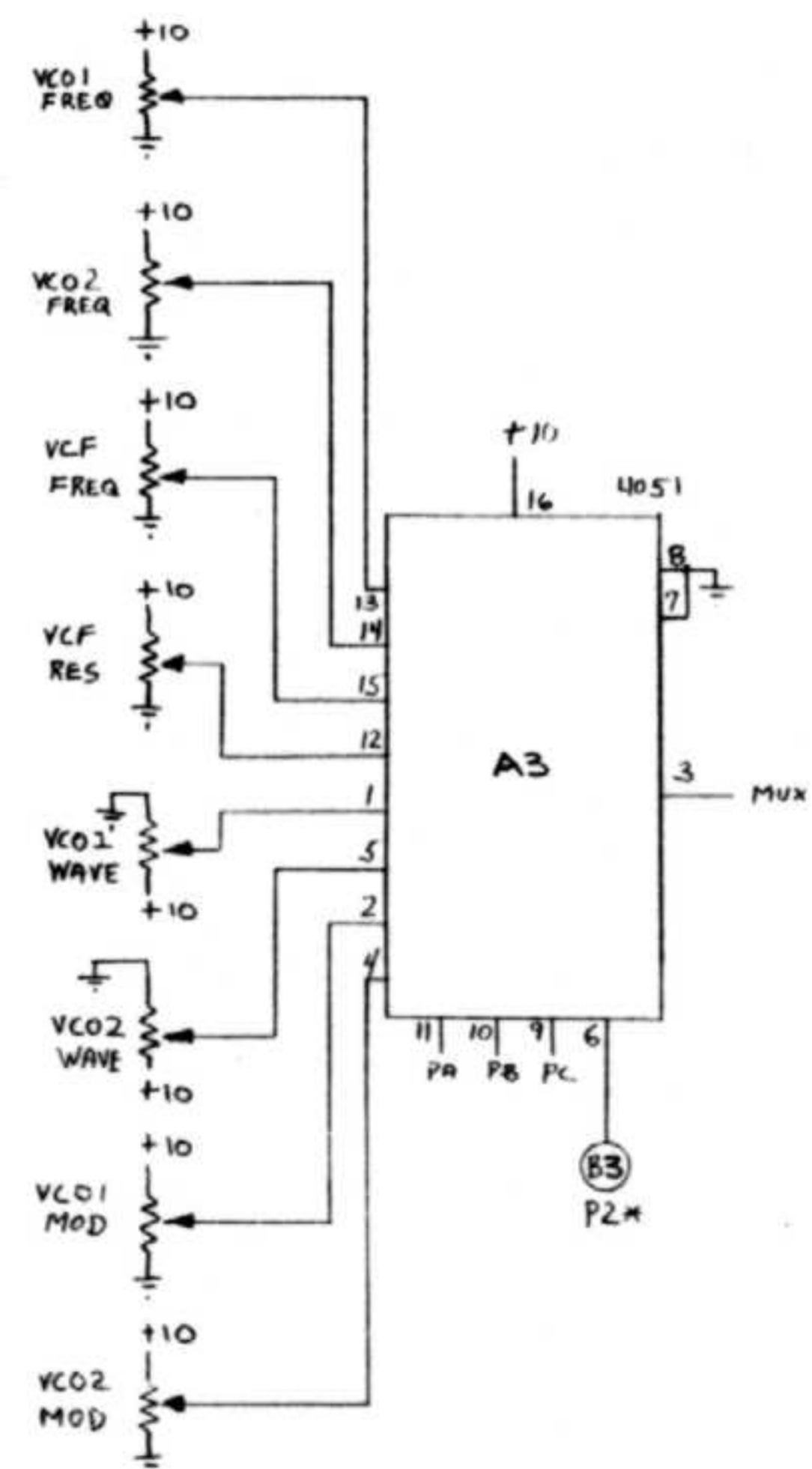
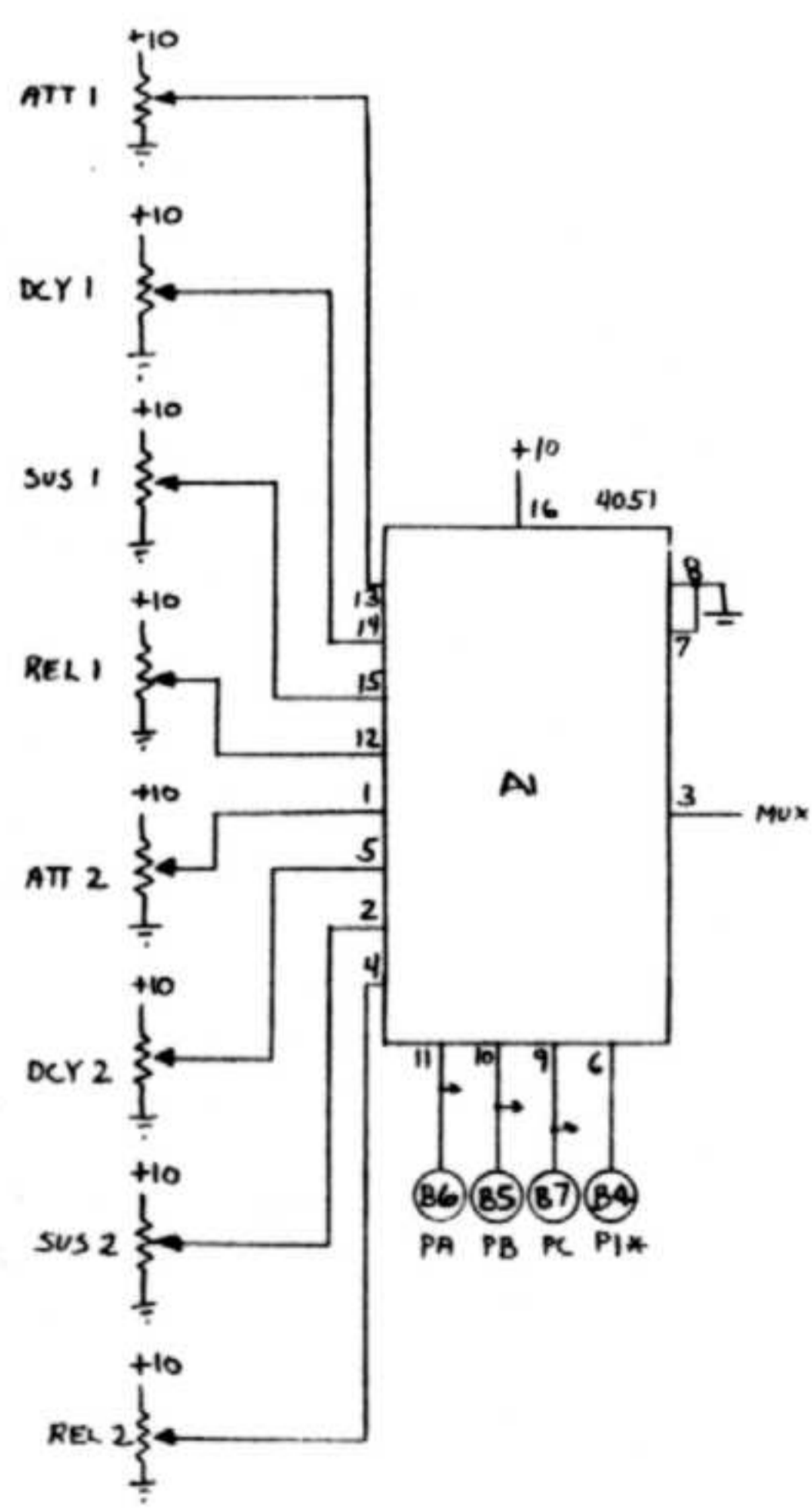
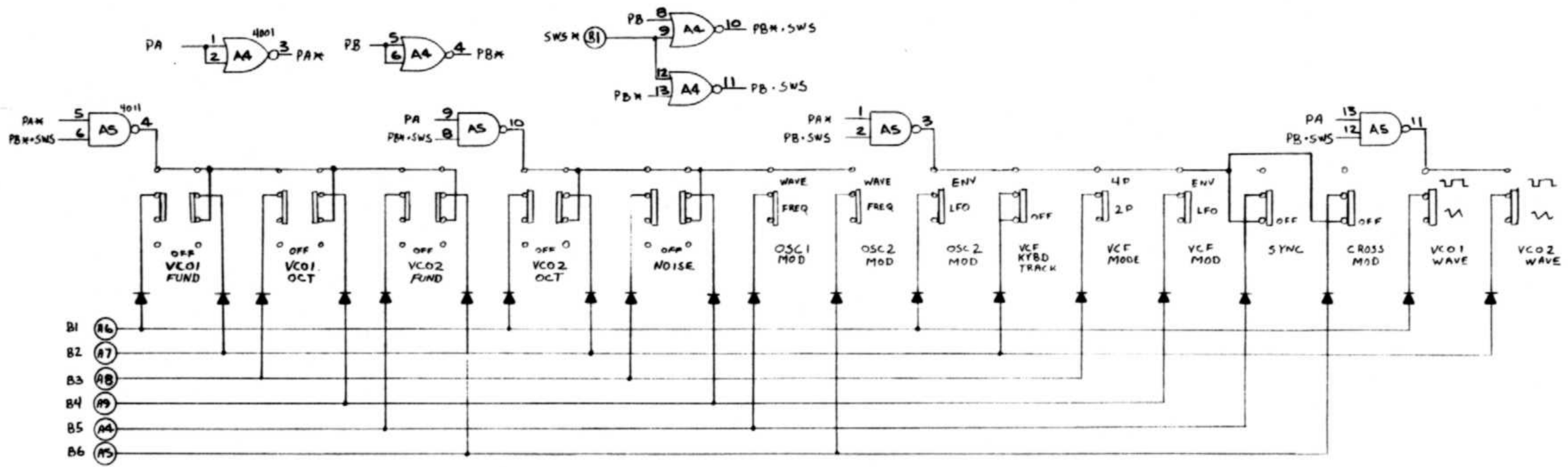


bleeps
and
peeps

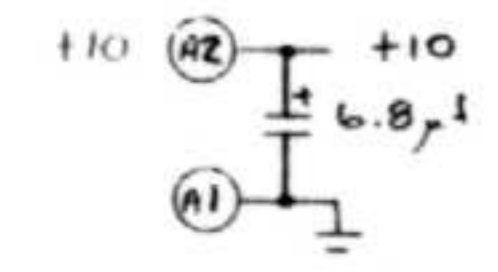
WWW.BLEEPS-AND-PEEPS.COM



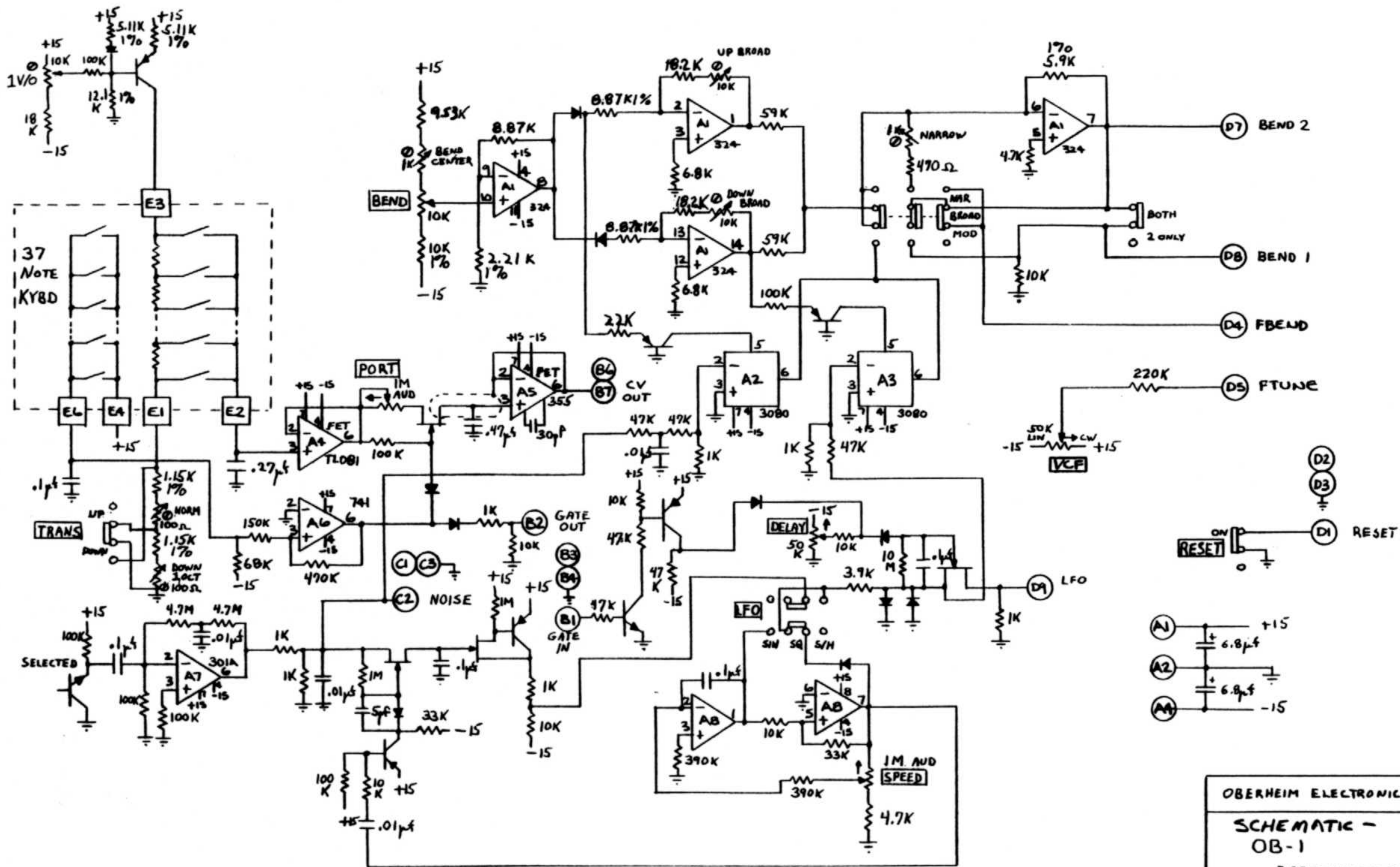
OBERHEIM ELECTRONICS INC.
 OB-1
 WIRING BLOCK
 DIAGRAM
 Revised
 10/79
 1338



ALL POTS SHOWN WITH CLOCK-WISE SIDE TOWARD TOP
UNLESS MARKED, ALL POTS 50K OHM



OBERHEIM ELECTRONICS, INC.
SCHEMATIC -
OB-1 POT BOARD
REVISED 10-31-77
1339

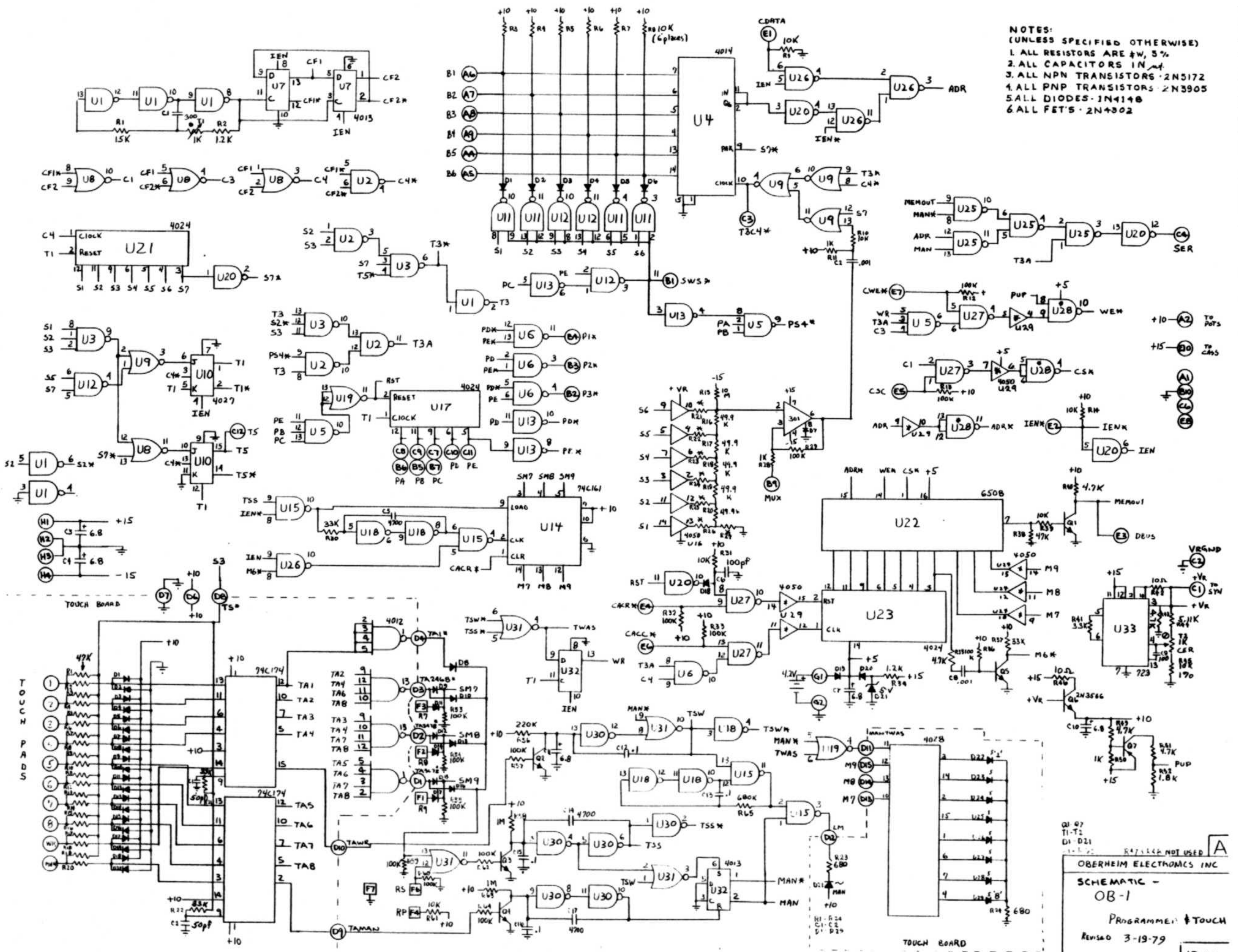


OBERHEIM ELECTRONICS, INC.

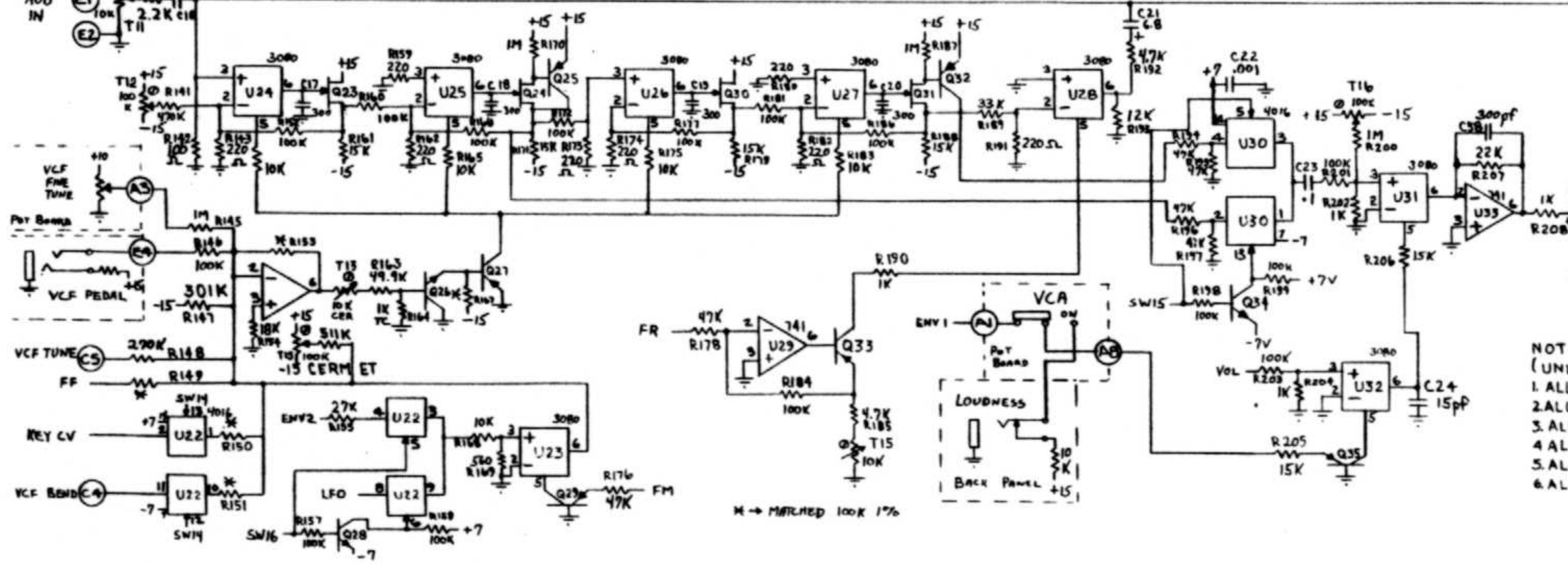
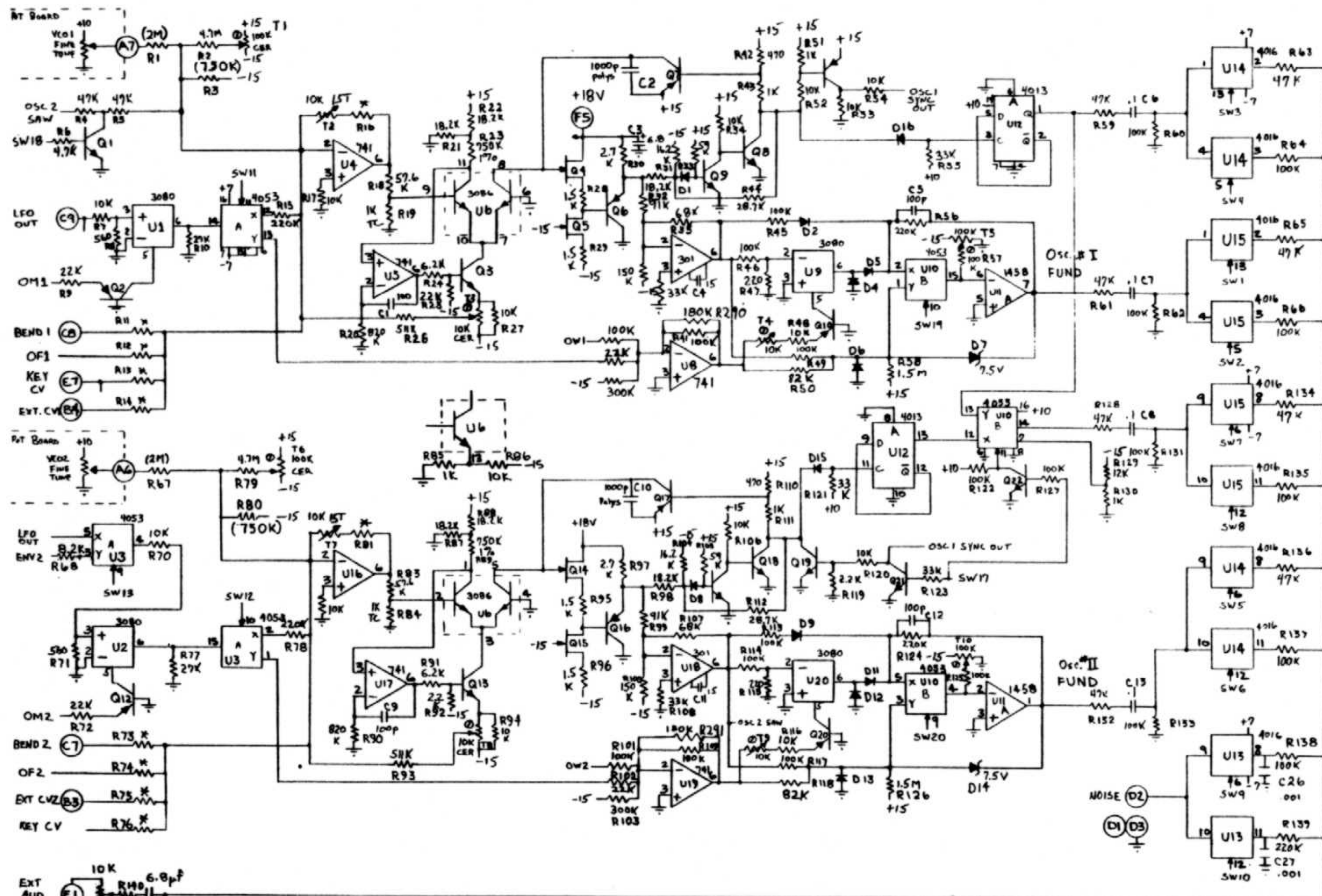
SCHMATIC -
OB-1
PERFORMANCE
BOARD
REVISED 12-9-78

1340

- NOTES:
 (UNLESS SPECIFIED OTHERWISE)
 1. ALL RESISTORS ARE ±W, 5%
 2. ALL CAPACITORS IN μF
 3. ALL NPN TRANSISTORS - 2N5172
 4. ALL PNP TRANSISTORS - 2N3905
 5. ALL DIODES - 1N4148
 6. ALL FET'S - 2N4392



OBERHEIM ELECTRONICS INC
 SCHEMATIC -
 OB-1
 PROGRAMMER: TOUCH
 REVISED 3-19-79
 11341

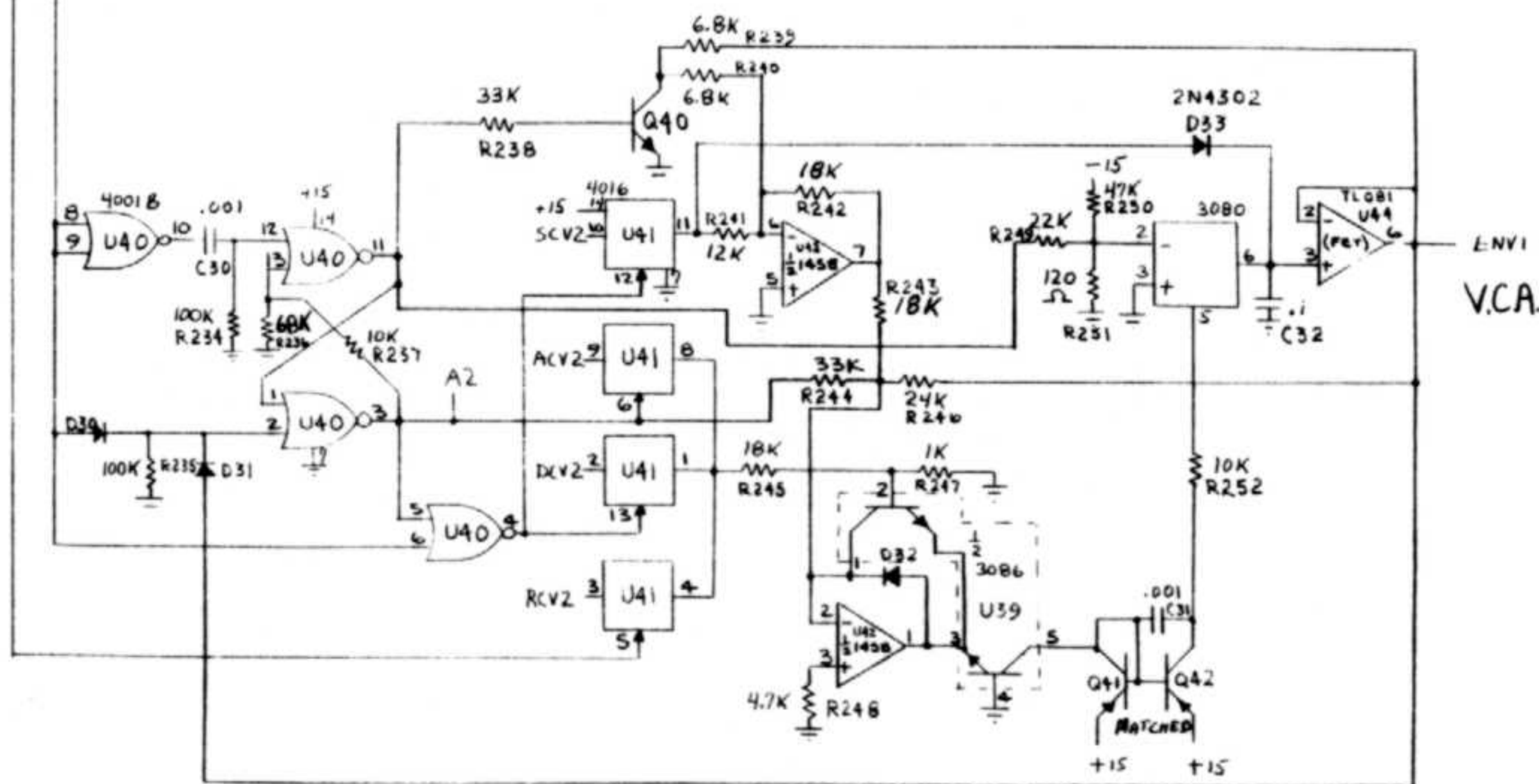
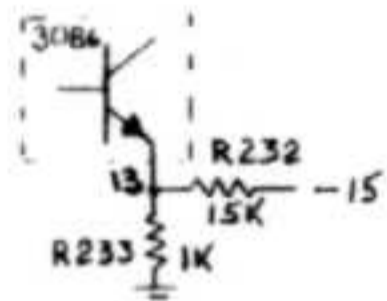
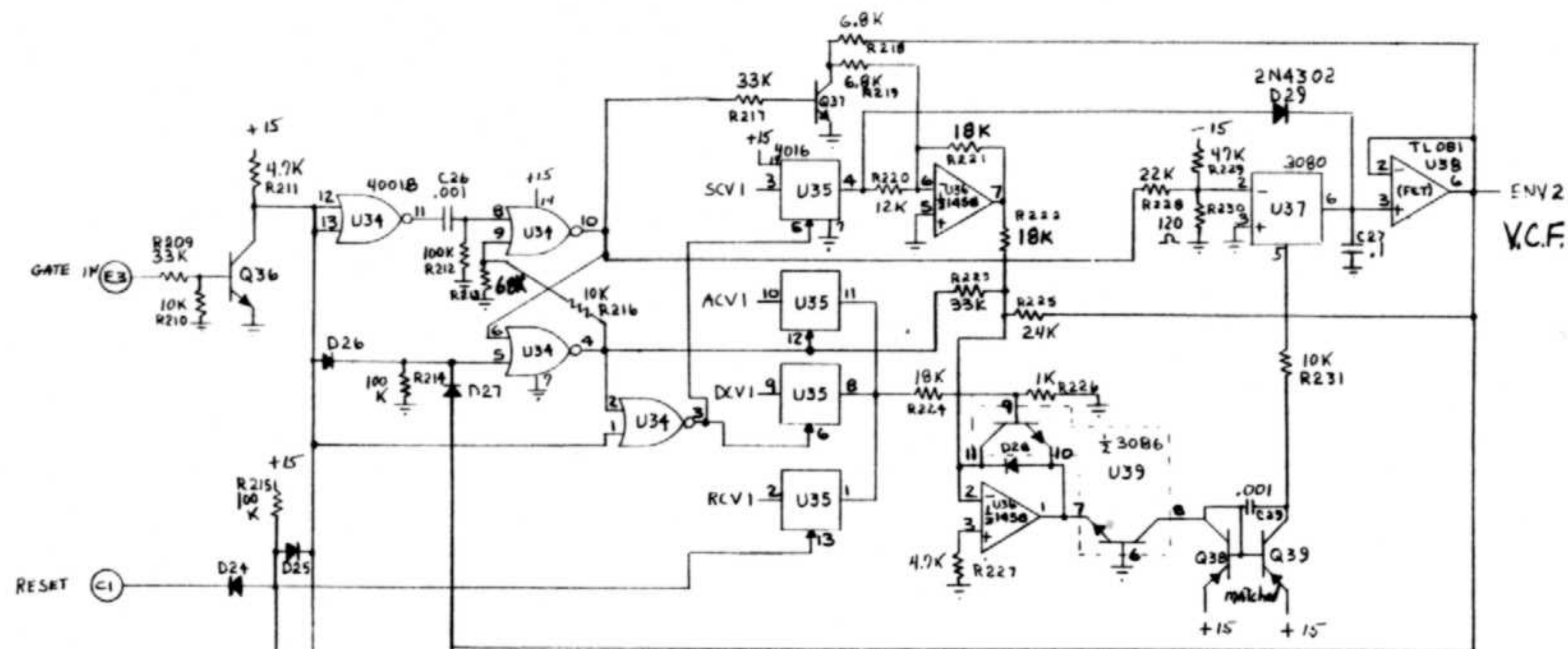


DI - D-16,
 C1 - C23, C5B
 R1 - R208, R289, R290, R291
 T1 - T16
 Q1 - Q35
 U1 - U33

NOT USED
 R154

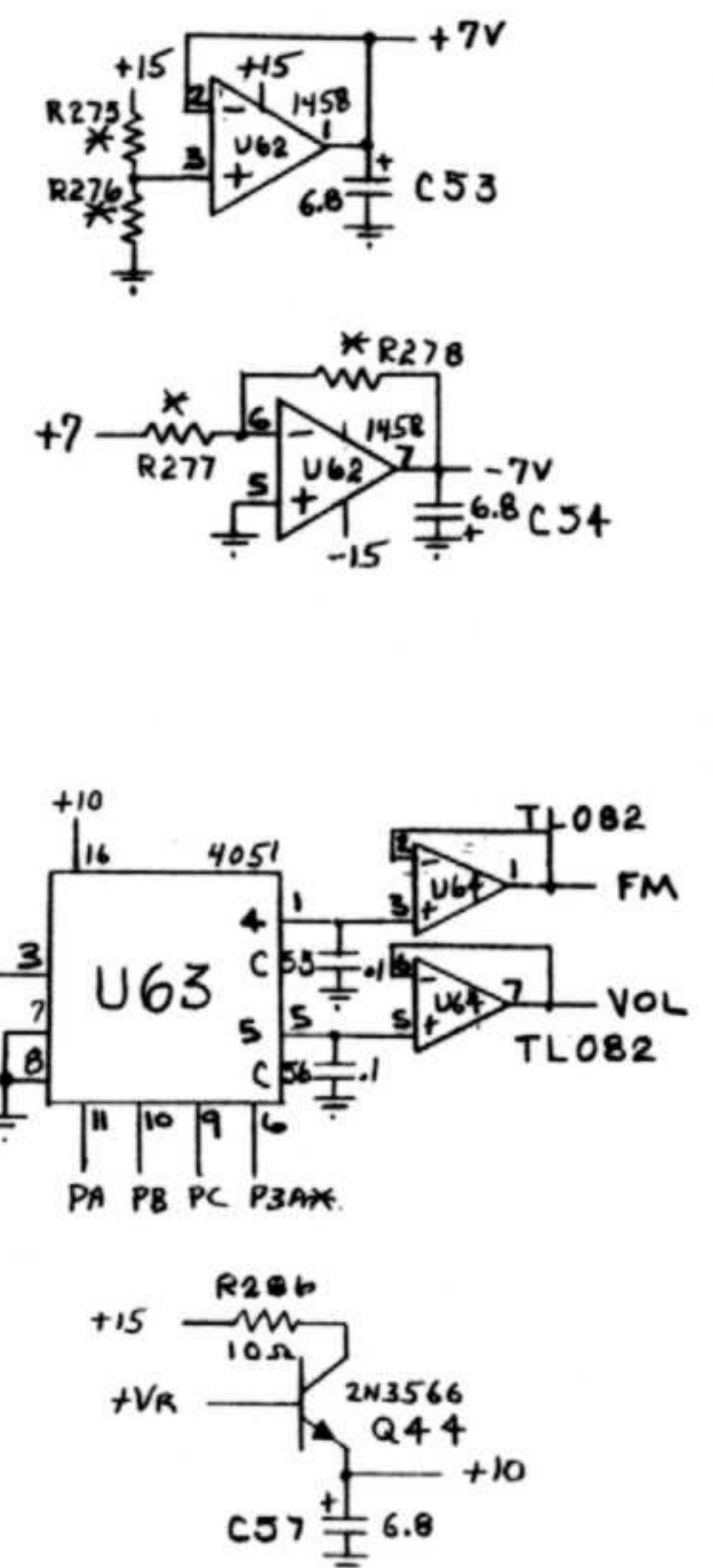
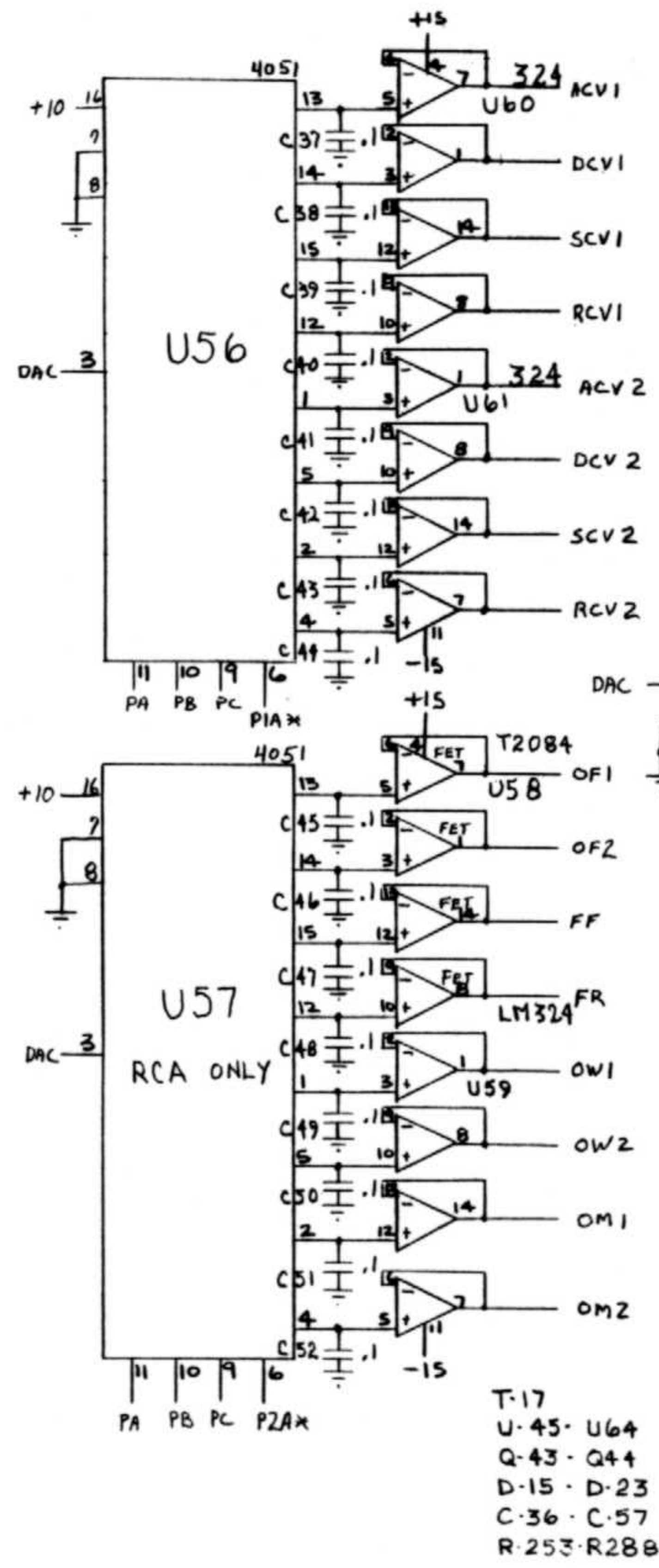
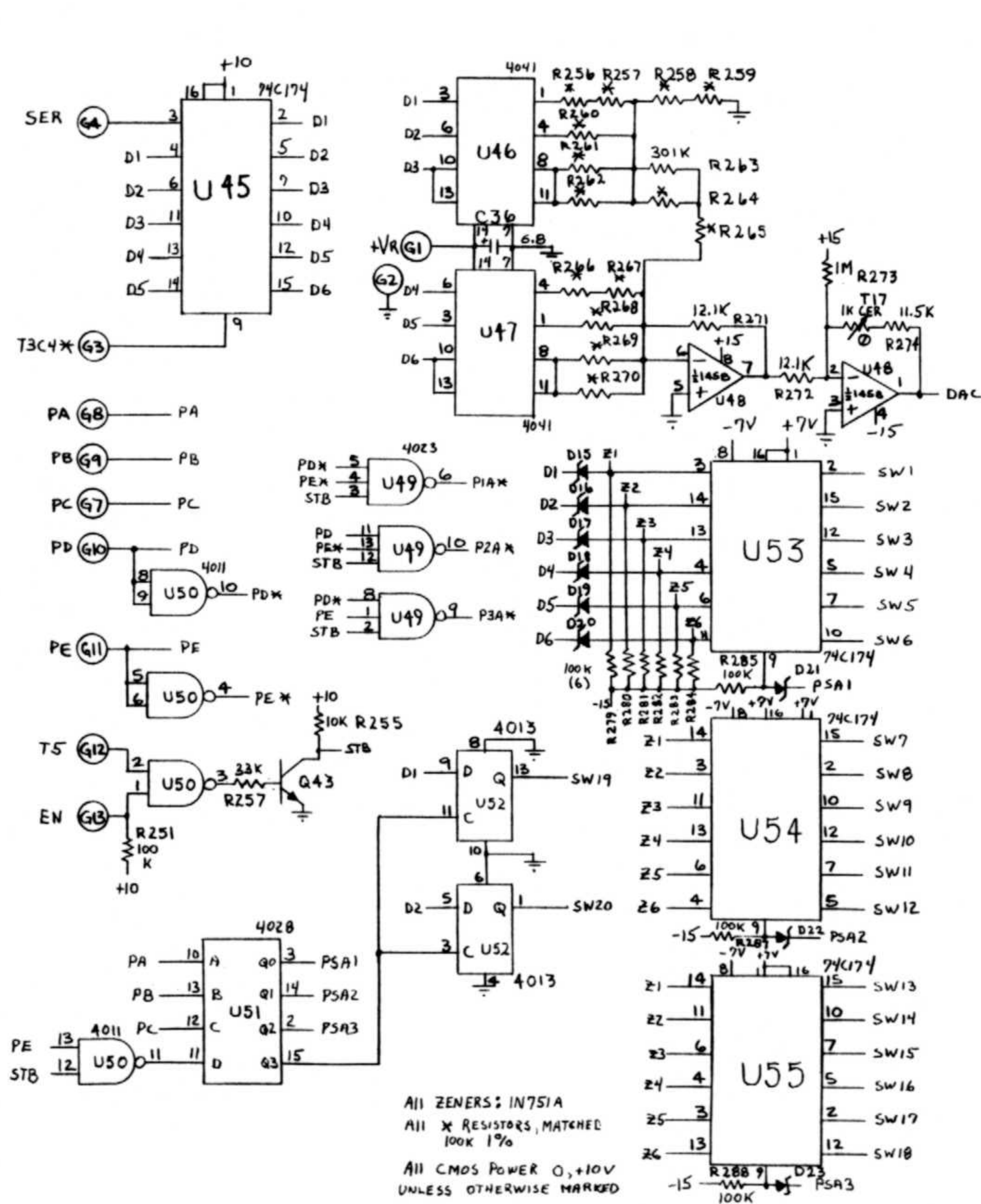
NOTES:
 (UNLESS SPECIFIED OTHERWISE)
 1. ALL RESISTORS ARE $\pm 5\%$
 2. ALL CAPACITORS IN μF
 3. ALL NPN TRANSISTORS - 2N5172
 4. ALL PNP TRANSISTORS - 2N3905
 5. ALL DIODES - 1N4148
 6. ALL FET'S - 2N4302

OB-1
 SYNTHESIZER BOARD
 REVISED 4-2-79
 SHEET 1 OF 3



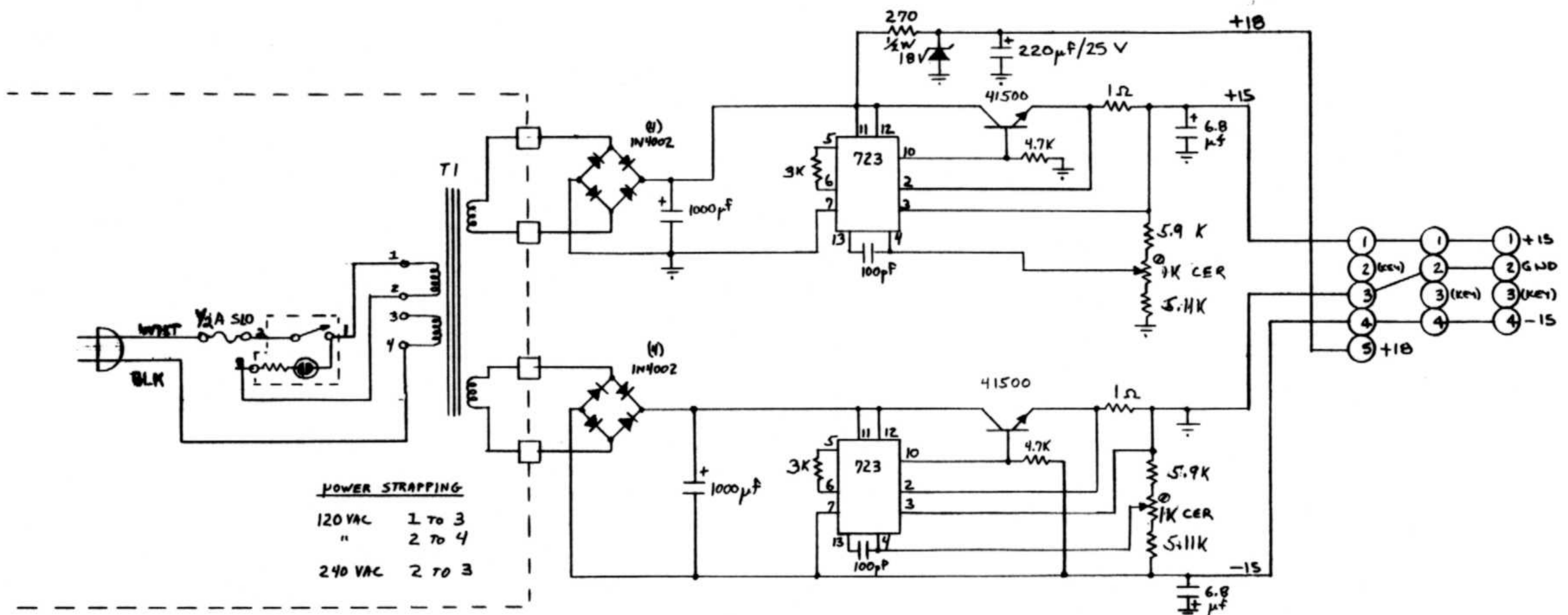
- U34 - U44
- Q36 - Q42
- D24 - D33
- C25 - C34 C26 C33 C34 NOT USED
- R209 - R252

- NOTES:
- (UNLESS SPECIFIED OTHERWISE)
 - 1 ALL RESISTORS ARE $\pm 5\%$
 - 2 ALL CAPACITORS IN nF
 - 3 ALL NPN TRANSISTORS - 2N2172
 - 4 ALL PNP TRANSISTORS - 2N2905
 - 5 ALL DIODES - 1N4148
 - 6 ALL FETS - 2N4302
 - 7 4001 MUST BE BUFFERED



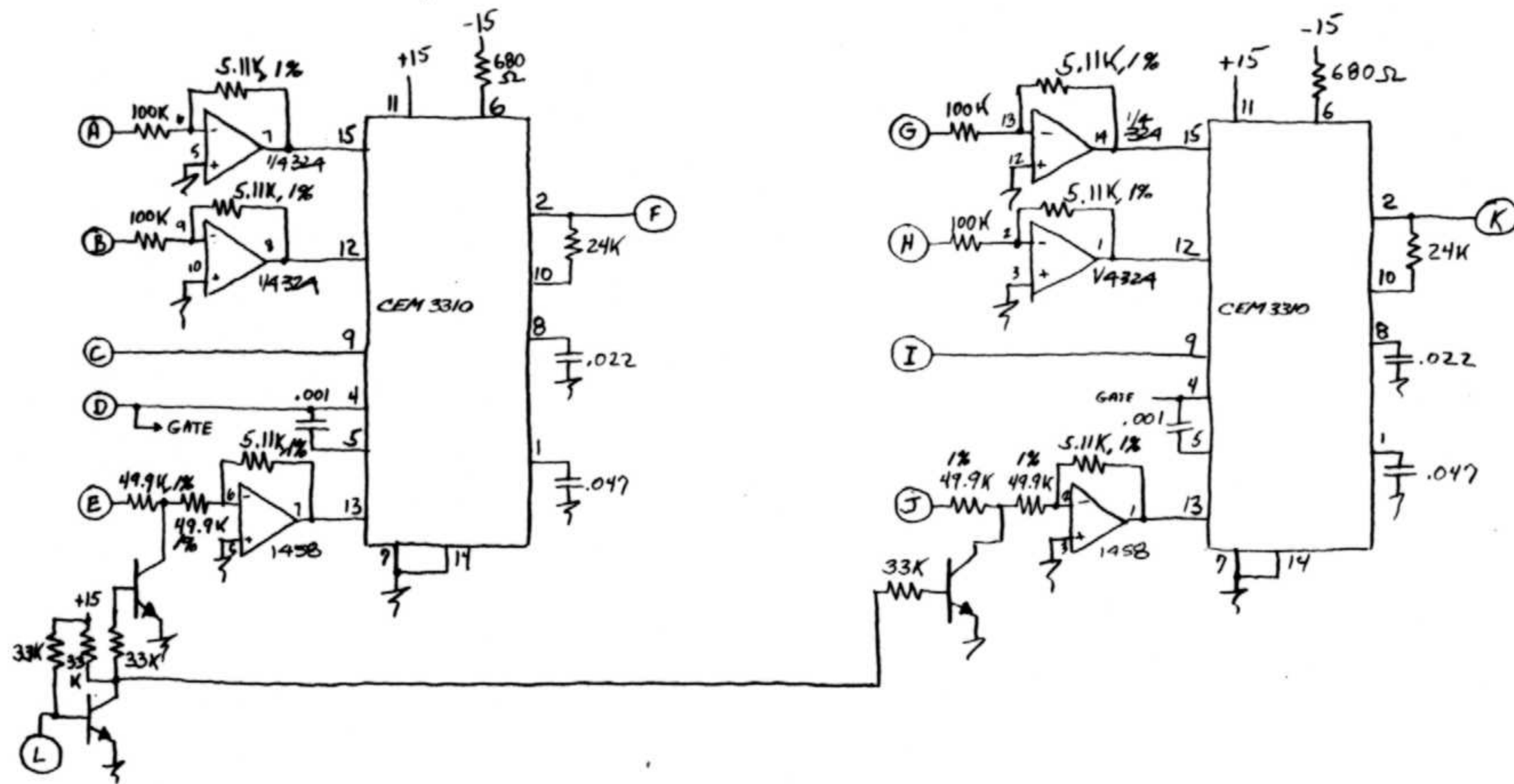
NOTES:
 (UNLESS SPECIFIED OTHERWISE)
 1. ALL RESISTORS ARE ±w, 5%
 2. ALL CAPACITORS IN μf.
 3. ALL NPN TRANSISTORS-2N5172
 4. ALL PNP TRANSISTORS-2N3905
 5. ALL DIODES-1N4148
 6. ALL FET'S-2N4302

OBERHEIM ELECTRONICS, INC.
 SCHEMATIC -
 OB-1
 SYNTHESIZER BOARD
 (S/H CRKTS)
 SHEET 3 OF 3
 11-1-77
 REVISED 4-2-79 1342



POWER STRAPPING
 120 VAC 1 TO 3
 " 2 TO 4
 240 VAC 2 TO 3

OBERHEIM ELECTRONICS, INC.
 SCHEMATIC -
 OB-1
 POWER SUPPLY
 SEPT 28, 1977
 REV 3-28-78 1343



(M) +15

(N) \uparrow

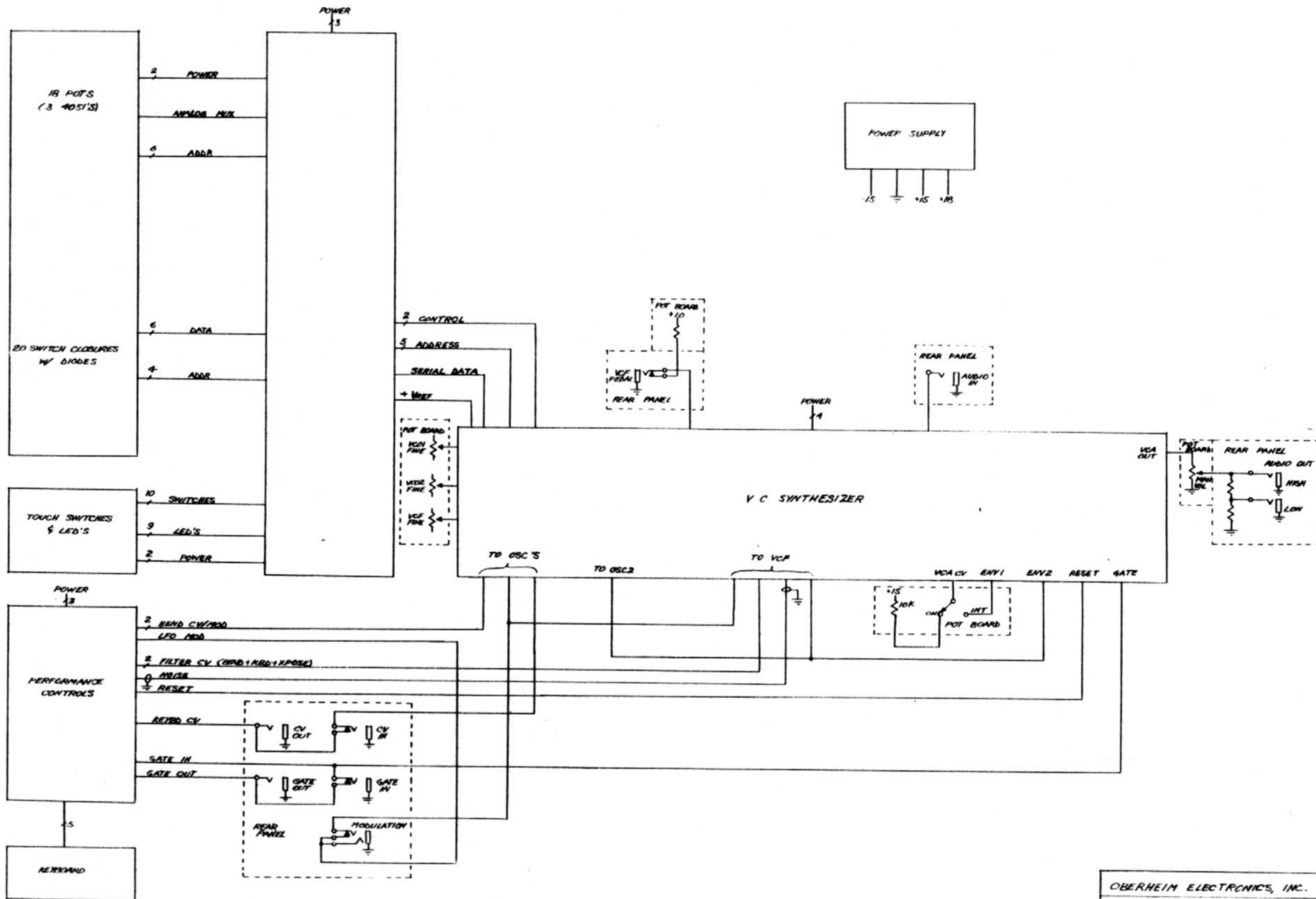
(O) -15

- NOTES:
 (UNLESS SPECIFIED OTHERWISE)
 1. ALL RESISTORS ARE \pm W, 5%
 2. ALL CAPACITORS IN μ f.
 3. ALL DIODES - 1N4148
 4. ALL TRANSISTORS MPS 5172

OBERHEIM ELECTRONICS

OB-1
 ENVELOPE GENERATOR
 CHIP BOARD

11/29/78 1387



OBERHEIM ELECTRONICS, INC.

OB-1A WIRING BLOCK DIAGRAM

10-1-79

1427