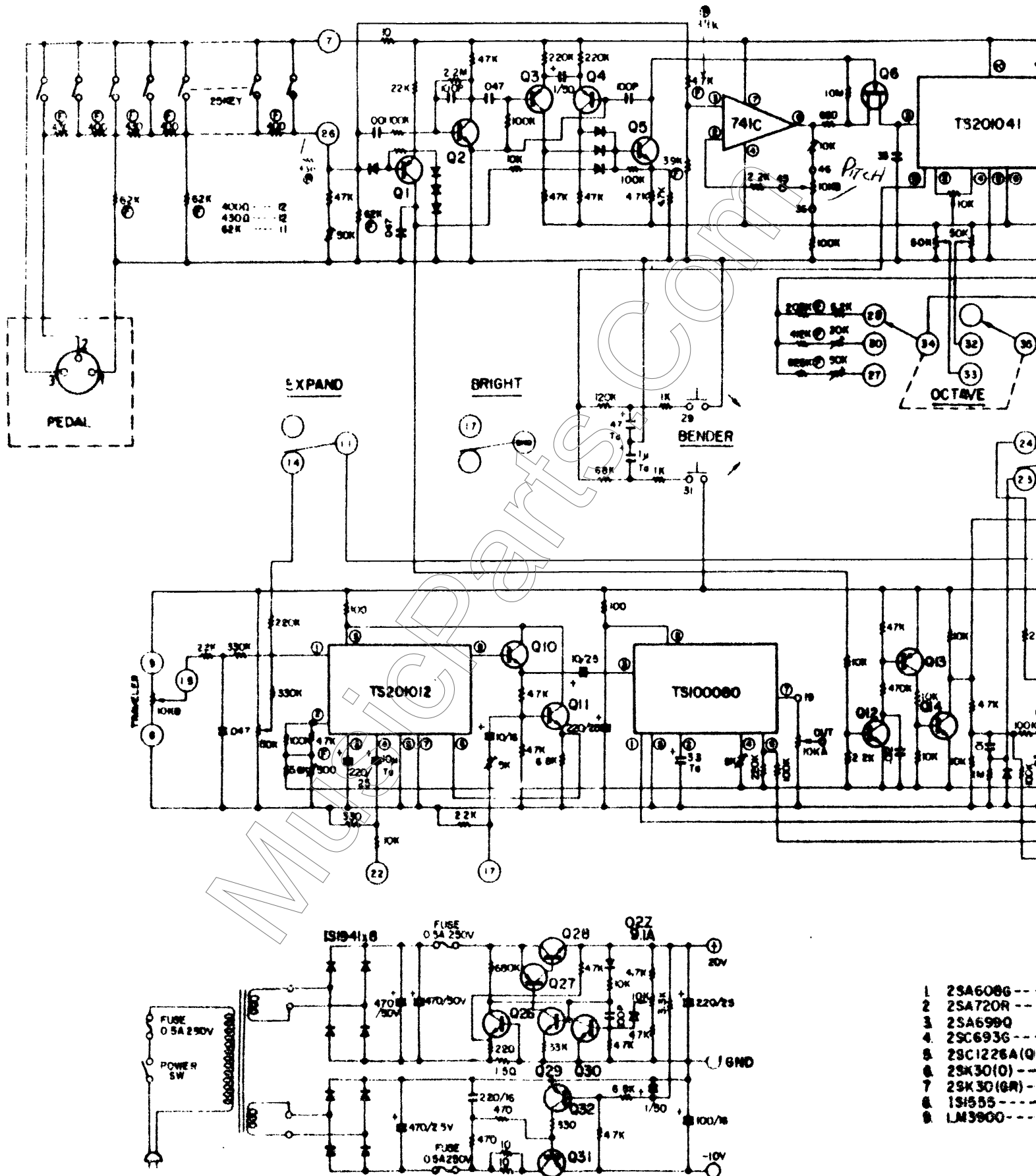
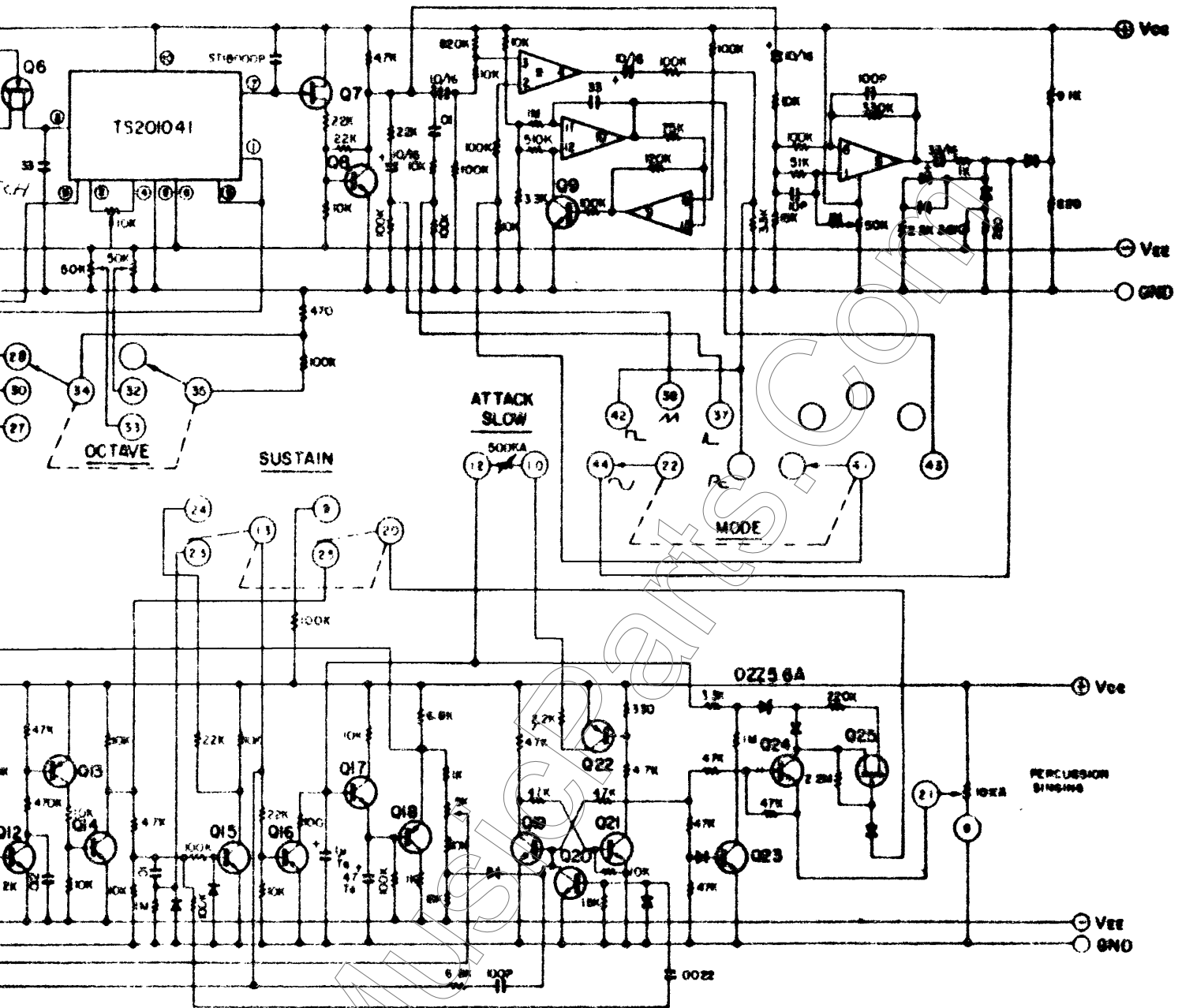


SYNTHESIZER BASS SB100

SYNTH BASS SB100



- 1 2SA6086 ---
- 2 2SA720R ---
- 3 2SA699Q
- 4 2SC6936 ---
- 5 29C1226A(0)
- 6 29K30(O) ---
- 7 29K30(BR) ---
- 8 1S1555 ---
- 9 LM3900 ---



- 1 2SA6086 ----- Q1, 3, 4, 13, 18, 22, 32
- 2 2SA720R ----- Q27
- 3 2SA699Q ----- Q31
- 4 2SC6936 ----- Q2, 5, 8 - 12, 14 - 17, 19 - 21, 23, 24, 26, 29, 30
- 5 2SC1226A(Q) --- Q28
- 6 2SK3010 ----- Q7
- 7 2SK3018R ----- Q6, 25
- 8 1S1555 ----- 44
- 9 LM3900 ----- 8

